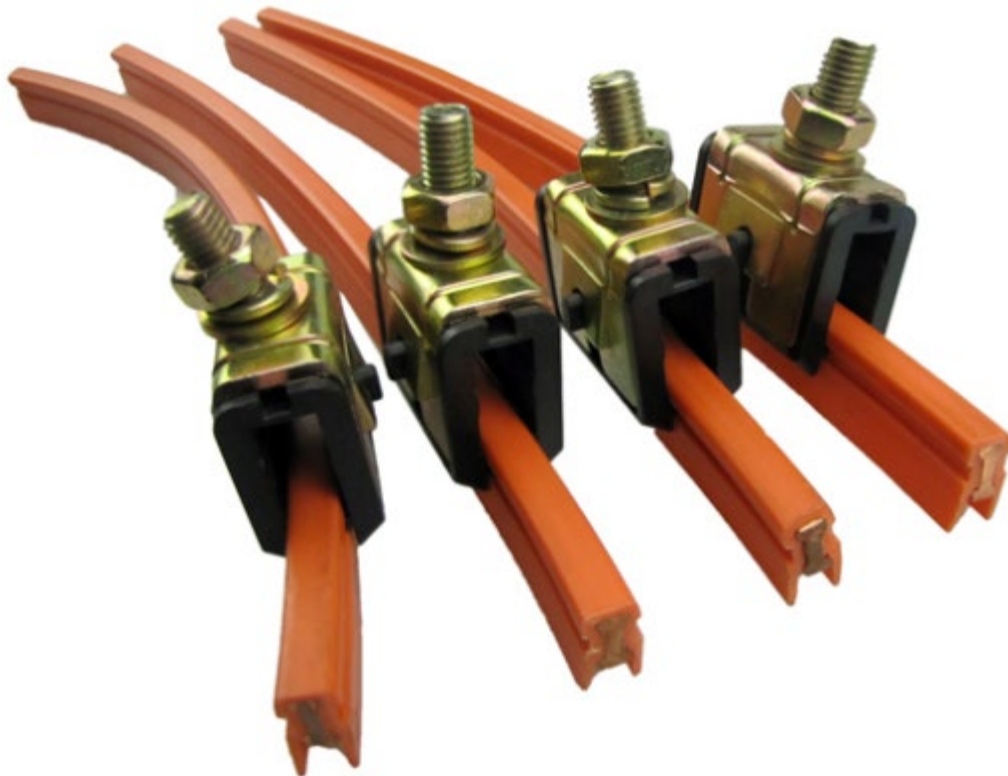


## **KLIFTING INDUSTRY CO., LTD.**

**KD Seamless Insulated Conductor Rail System**

**(175A -325A)**



**Catalogue**

[www.klifting.com](http://www.klifting.com)

## Catalogue

General.....	2
Products.....	2
Single Seamless Conductor Rails.....	2
End Tension & Power In.....	2
Hanger Clamp.....	3
Insulator Hanger.....	3
Fixed End Insulator.....	3
Fix Square Bar.....	3
Installation: .....	4
Calculation.....	5
Contact.....	7



## General

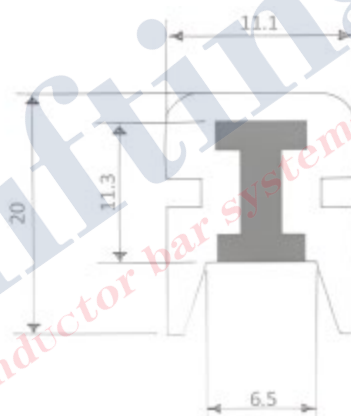
Seamless single conductor rail is easy to install, maintain, high availability, meet industry safety standards.

Seamless Single conductor rail features:

- 1.Can supply power from one conductor bar system to many systems, can provide power input at any position;
- 2.Conductor bar extremely resistant, stainless steel surface corrosion-resistant;
- 3.With long life, low contact resistance, access to reliable, easy to install and protect;
4. Suitable for large current work, can supply long distance;
5. Compact and simple structure, suitable for indoor and outdoor use.

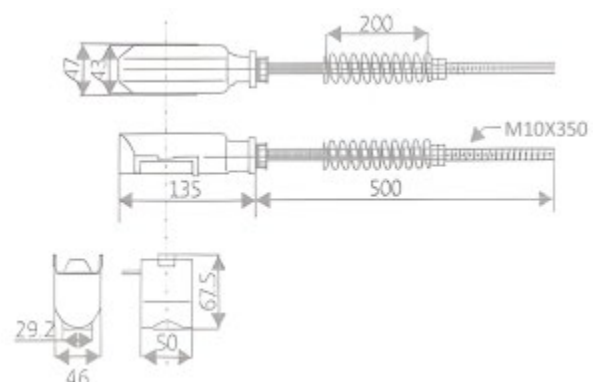
## Products

### ➤ Single Seamless Conductor Rails



Type	Specification	Length	Weight (kg)
KKD60175	600V-175A	m	0.45
KKD60225	600V-225A	m	0.55
KKD60275	600V-275A	m	0.75
KKD60325	600V-325A	m	0.90

### ➤ End Tension & Power In

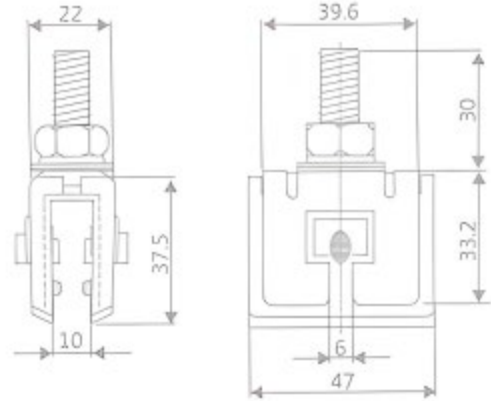


Type	Weight (kg)
KKD60001	0.65

➤ **Hanger Clamp**



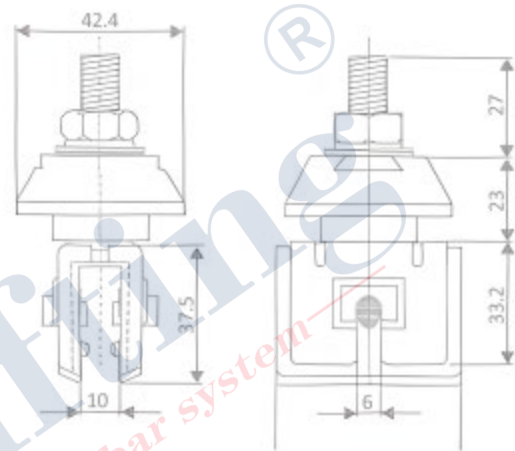
Type	Weight (kg)
KKD60002	0.11



➤ **Insulator Hanger**



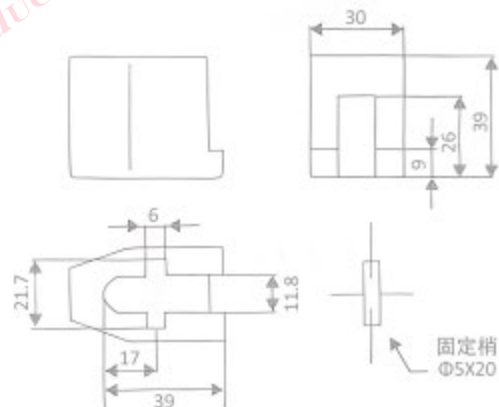
Type	Weight (kg)
KKD60003	0.15



➤ **Fixed End Insulator**



Type	Weight (kg)
KKD60004	0.05

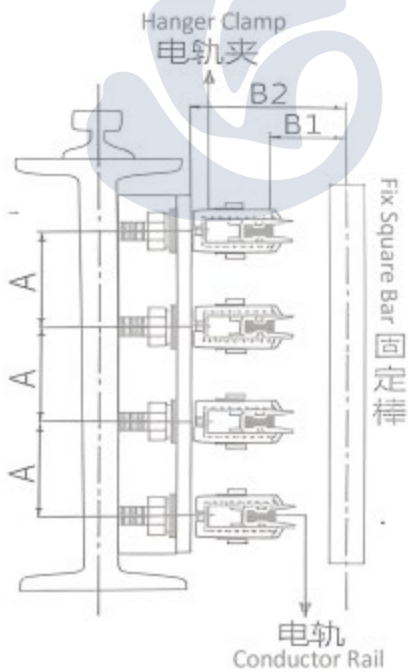
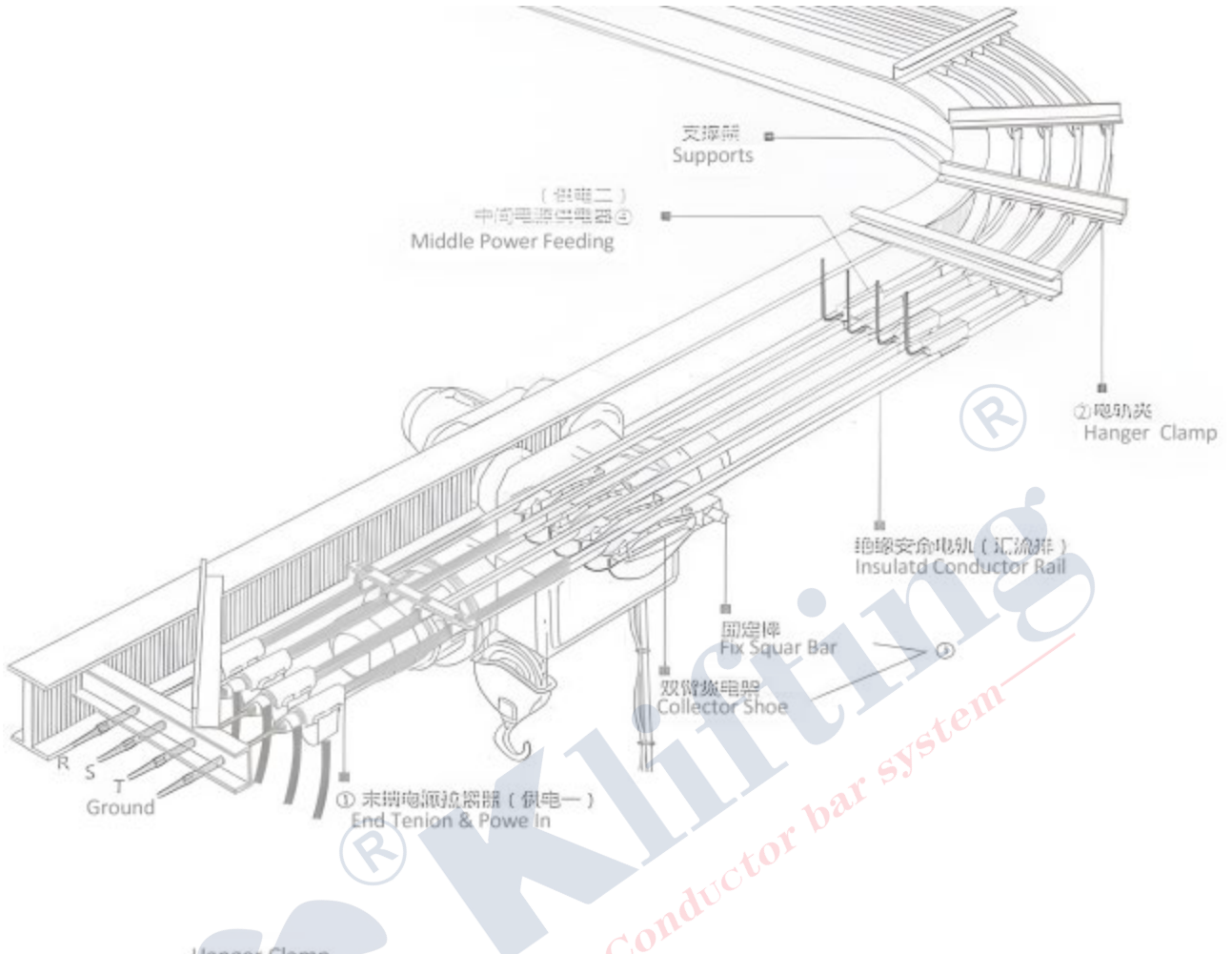


➤ **Fix Square Bar**

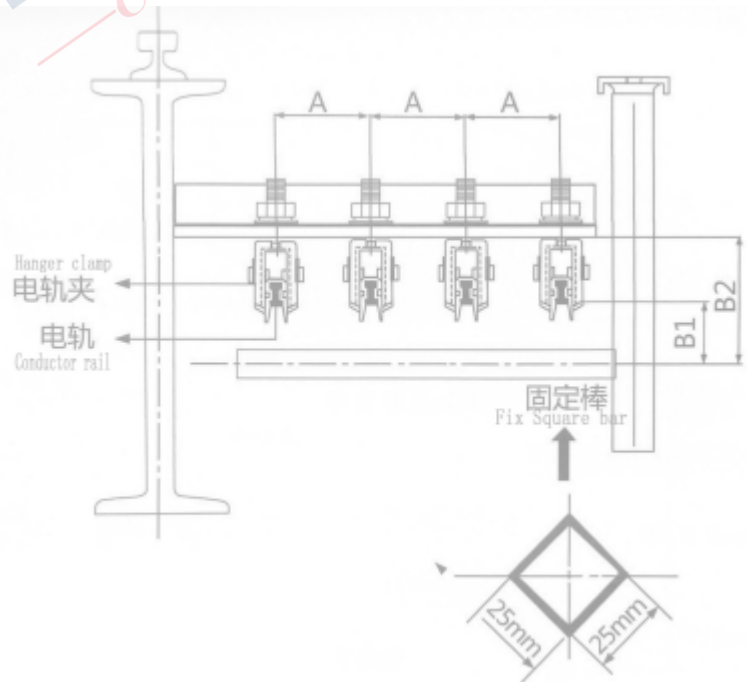


Type	Weight (kg)	A	B
KKD60001	0.15	12.00	500.00

**Installation:**



**Side Installation**



**Vertical Installation**

## Calculation

### Please offer this information if you need our products.

Company Name: \_\_\_\_\_ Contact: \_\_\_\_\_  
Project: \_\_\_\_\_ Address: \_\_\_\_\_  
E-mail: \_\_\_\_\_ Project: \_\_\_\_\_  
Telephone: \_\_\_\_\_ Fax: \_\_\_\_\_  
Date: \_\_\_\_\_

1. Type of crane/machine to be electrified: \_\_\_\_\_
2. Voltage: \_\_\_\_\_ Volts  $\sim/\neq$ : \_\_\_\_\_ Phases: c/s: \_\_\_\_\_
3. Length of conductor system: \_\_\_\_\_
4. Number of conductors required: \_\_\_\_\_  
power lines: \_\_\_\_\_ control lines: \_\_\_\_\_ neutral (ground): \_\_\_\_\_
5. Indoor: \_\_\_\_\_ Outdoor: \_\_\_\_\_
6. Special site conditions (humidity, dust, chemical influence etc.): \_\_\_\_\_
7. Temperature conditions: \_\_\_\_\_ °C min., \_\_\_\_\_ °C max.
8. Type of conductors preferably wanted: \_\_\_\_\_
9. Number and position of feeder points: \_\_\_\_\_
10. Mounting position envisaged: \_\_\_\_\_  
(prints and sketches should be submitted whenever obtainable)
11. Number of cranes / machines fed from the one system: \_\_\_\_\_
12. Ampere load of each crane / machine: \_\_\_\_\_
13. Other pertinent data: \_\_\_\_\_  
\_\_\_\_\_  
\_\_\_\_\_

For curved tracks, breaks in system etc. please submit prints and sketches.

Motor (please mark run simultaneously and at the same time start the motor)	Crane 1						
	P/(KW)	Rated current			Starting current		
		A	COS $\phi^N$	%ED	A	COS $\phi^A$	Start Method
Main Hoisting							
Aux. Hoisting							
Main Traverse							
Aux. Traverse							
Main Travel							
Aux. Travel							
Slewing							
Luffing and any other Service							
The type of motor: K:Squirrel-cage motors; S:Slip-ring motors; F:Inverter motor							

Motor (please mark run simultaneously and at the same time start the motor)	Crane 2						
	P/(KW)	Rated current			Starting current		
		A	COS $\phi^N$	%ED	A	COS $\phi^A$	Start Method
Main Hoisting							
Aux. Hoisting							
Main Traverse							
Aux. Traverse							
Main Travel							
Aux. Travel							
Slewing							
Luffing and any other Service							
The type of motor: K:Squirrel-cage motors; S:Slip-ring motors; F:Inverter motor							

## Contact

### **KLIFTING INDUSTRY CO., LTD.**

Address: Workshop No.169 Longxiang Road, Industrial Park, East QiYi Road, LianChi District, Baoding City, Hebei Province, China

Phone: 0086-312-679-3605

Email: [Sales@klifting.com](mailto:Sales@klifting.com)

Website: [www.klifting.com](http://www.klifting.com)

For further information of KD Seamless Insulated Conductor Rail System, please contact us in the above ways.

We commit ourselves to constant improvement of our design and processing of the products.

We keep the right of perfecting the instruction book and the product design to achieve the goal.

It's important to select the suit Safe Conductor Bar for each application. Otherwise it will cause serious consequences , such as property damage or personal injury.