

KLIFTING INDUSTRY CO., LTD.

KQ Aluminum(6063A)/Stainless Steel Conductor Bar System

(Light I: 200A 315A 400A 500A)



Catalogue

www.klifting.com

Catalogue

General.....	1
Technical data.....	1
Light Type Conductor Bar.....	2
Conductor bar.....	2
Current collector.....	2
Angle steel bracket.....	3
Hanger bracket.....	3
Fixation clamp.....	3
Junction plate.....	4
Joint Protective Sleeve.....	4
Power Input Section.....	4
Protection Box.....	5
Expansion parts.....	5
End cap.....	5
Square pipe (Common use).....	6
LED light:.....	6
Calculation.....	7
Contact.....	9

General

1. It consists of Insulated trolley bar/4m/pc, End Cap, Hanger Clamp, Joint Cover, Joint keeper, Expansion section, Power collector, Hanger or, Power Feeder, etc. with Insulated 200A-1450A
2. We can supply the bus bar system (conductor bar) from 60A to 3000A, in form of plastic, aluminum and copper material.
3. Conductor bar systems are used for the electrification of mobile equipment. Conductor bar is a safe, economical and low maintenance way to solve mobile electrification requirement.
4. Conductor bar is used for gantry cranes, overhead cranes, hoists, trolleys, conveyors, port cranes and people movers, etc.
5. Ambient temperature: Conductor bar PVC: -15°C — 55°C ; PPO -127°C — 121°C ; PC: -60°C — 120°C ;
6. Copper conductor bar, Aluminum/stainless steel conductor bar, Rigid conductor bar can use in outdoor and indoor. Degree of protection: IP23

Technical data

Mechanical and electrical performance	Conductor bar specification			
	200A	315A	400A	500A
Model specification	200A	315A	400A	500A
Conductor raw material	Aluminum	Aluminum	Aluminum	Aluminum
Conductor materials grades	6063A	6063A	6063A	6063A
Conductor cross-sectional area	107	130	170	230
Standard length	4.5	4.5	4.5	4.5
Conductor lines distance	54	54	54	54
CTE	0.0000235	0.0000235	0.0000235	0.0000235
Conductor lines insulator materials	PVC	PVC	PVC	PVC
Hanging bracket raw material	Reinforced nylon	Reinforced nylon	Reinforced nylon	Reinforced nylon
Applicable to temperature range	$-35\sim+85$	$-35\sim+85$	$-35\sim+85$	$-35\sim+85$

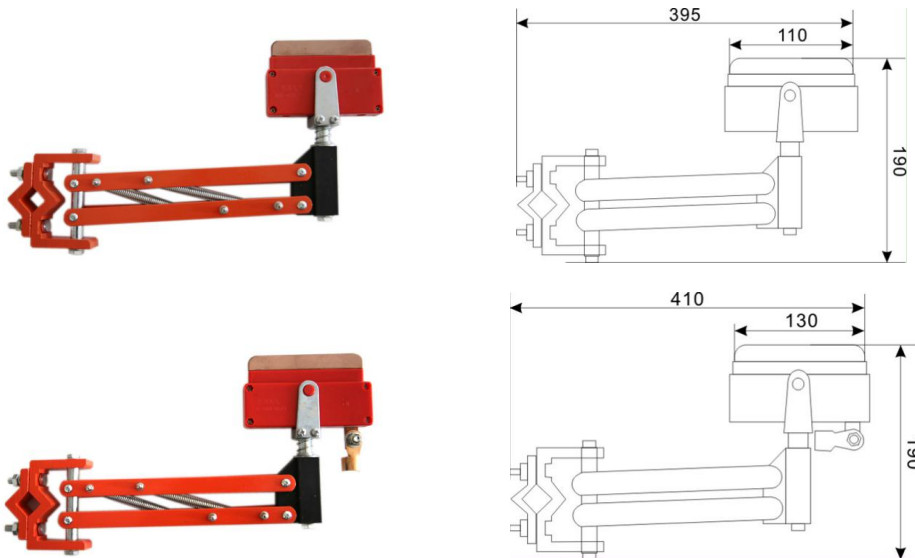
Light Type Conductor Bar

➤ Conductor bar



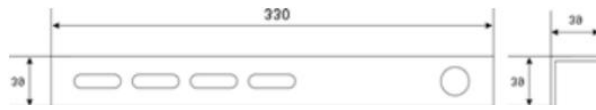
Ampere	200A	315A	400A	500A
Length(m)	4.5	4.5	4.5	4.5
Standard phase wire sheath	801072001	801303151	801704001	802305001
Standard ground wire sheath	801072002	801303152	801704002	802305002
High temperature resistance sheath	801072003	801303153	801704003	802305003

➤ Current collector



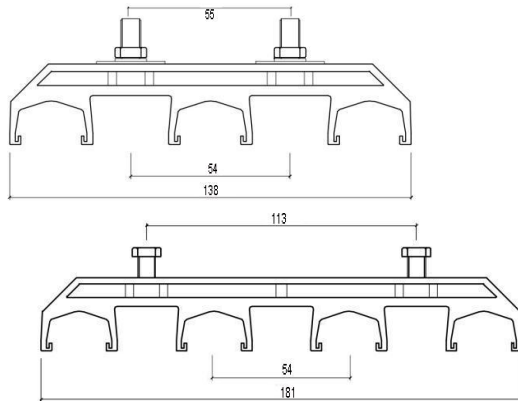
Model	Type A	Type B
Used for	200A, 315A	400A, 500A
Product No.	88001000	88001500

➤ **Angle steel bracket**



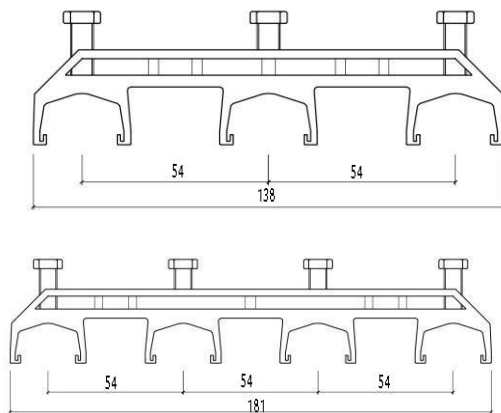
Size	4 hole
Used for	200A-500A
Product NO.	88080001

➤ **Hanger bracket**



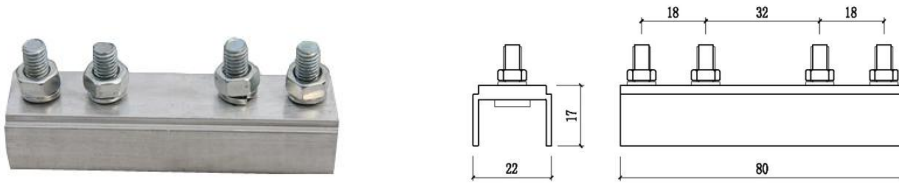
Size	3 hole	4hole
Used for	200A-500A	200A-500A
Product NO.	88080008	88080010

➤ **Fixation clamp**



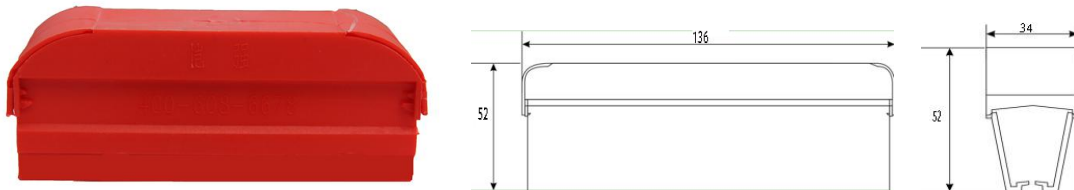
Size	3 hole	4hole
Used for	200A-500A	200A-500A
Product NO.	88080007	88080009

➤ **Junction plate**



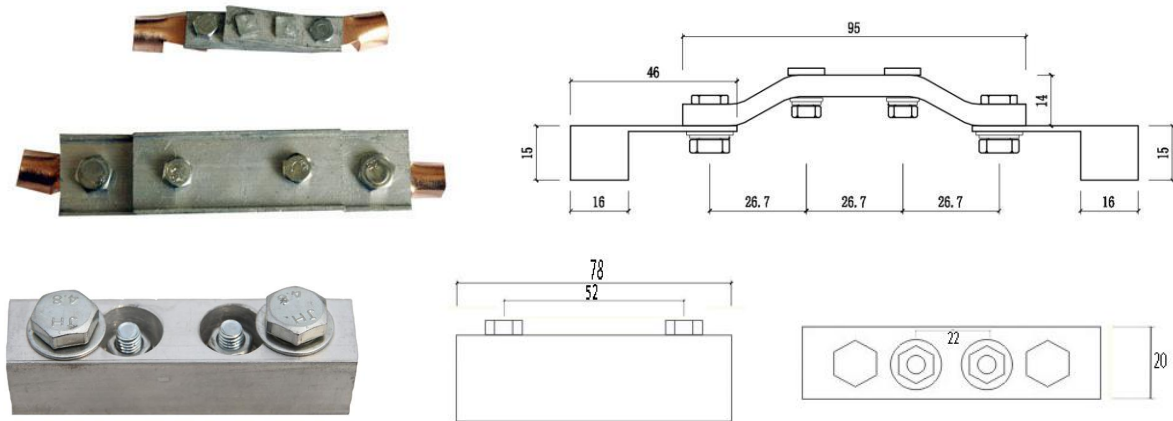
Size	Light
Used for	200A-500A
Product NO.	88080018

➤ **Joint Protective Sleeve**



Size	Light
Used for	200A-500A
Product NO.	88080004

➤ **Power Input Section**



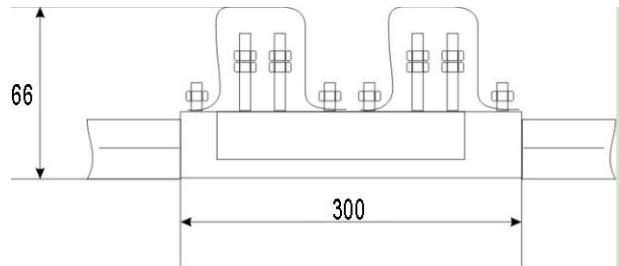
Size	Light
Used for	200A-500A
Product NO.	88080011

➤ **Protection Box**



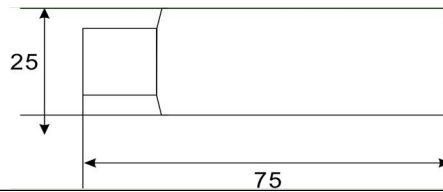
Size	Light
Used for	200A-500A
Product NO.	88080015

➤ **Expansion parts**



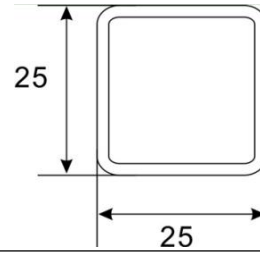
Size	Light
Used for	200A-500A
Product NO.	88080013

➤ **End cap**



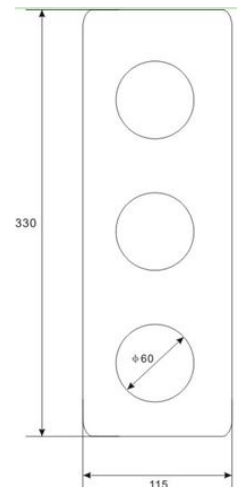
Size	Light
Used for	200A-500A
Product NO.	88080034

➤ **Square pipe (Common use)**



Name	Square pipe
Used for	Current collector
Product NO.	88080017

➤ **LED light:**



Size	Ø50mm	Ø100mm
Used for	200A-500A	630A-1450A
Product NO.	88080030	88080031

Calculation

Please offer these information if you need our products.

Company Name: _____ Contact _____
Project: _____ Address: _____
E-mail: _____ Project: _____
Telephone: _____ Fax: _____
Date: _____

1. Type of crane/machine to be electrified: _____
 2. Voltage: _____ Volts ~/=: _____ Phases: c/s: _____
 3. Length of conductor system: _____
 4. Number of conductors required: _____ power lines: _____ control lines: _____ neutral (ground): _____
 5. Indoor: _____ Outdoor: _____
 6. Special site conditions (humidity, dust, chemical influence etc.): _____
 7. Temperature conditions: _____ °C min., _____ °C max.
 8. Type of conductors preferably wanted: _____
 9. Number and position of feeder points: _____
 10. Mounting position envisaged: _____
(prints and sketches should be submitted whenever obtainable)
 11. Number of cranes / machines fed from the one system: _____
 12. Ampere load of each crane / machine: _____
 13. Other pertinent data: _____
-
-

For curved tracks, breaks in system etc. please submit prints and sketches.

Motor (please mark run simultaneously and at the same time start the motor)	Crane 1						
	P/ (KW)	Rated current			Starting current		
		A	COSφN	%ED	A	COSφA	Start Method
Main Hoisting							
Aux. Hoisting							
Main Traverse							
Aux. Traverse							
Main Travel							
Aux. Travel							
Slewing							
Luffing and any other Service							
The type of motor : K:Squirrel-cage motors; S:Slip-ring motors; F:Inverter motor							
Motor (please mark run simultaneously and at the same time start the motor)	Crane 2						
	P/ (KW)	Rated current			Starting current		
		A	COSφN	%ED	A	COSφA	Start Method
Main Hoisting							
Aux. Hoisting							
Main Traverse							
Aux. Traverse							
Main Travel							
Aux. Travel							
Slewing							
Luffing and any other Service							
The type of motor : K:Squirrel-cage motors; S:Slip-ring motors; F:Inverter motor							

Contact

KLIFTING INDUSTRY CO., LTD.

Address: Workshop No.169 Longxiang Road, Industrial Park, East QiYi Road, LianChi District, Baoding City, Hebei Province, China

Phone: 0086-312-679-3605

Email: Sales@klifting.com

Website: www.klifting.com

For further information of KA Aluminum(6101A)/Stainless Steel Conductor Bar System, please contact us in the above ways.

We commit ourselves to constant improvement of our design and processing of the products.

We keep the right of perfecting the instruction book and the product design to achieve the goal.

It's important to select the suit Safe Conductor Bar for each application. Otherwise it will cause serious consequences , such as property damage or personal injury.