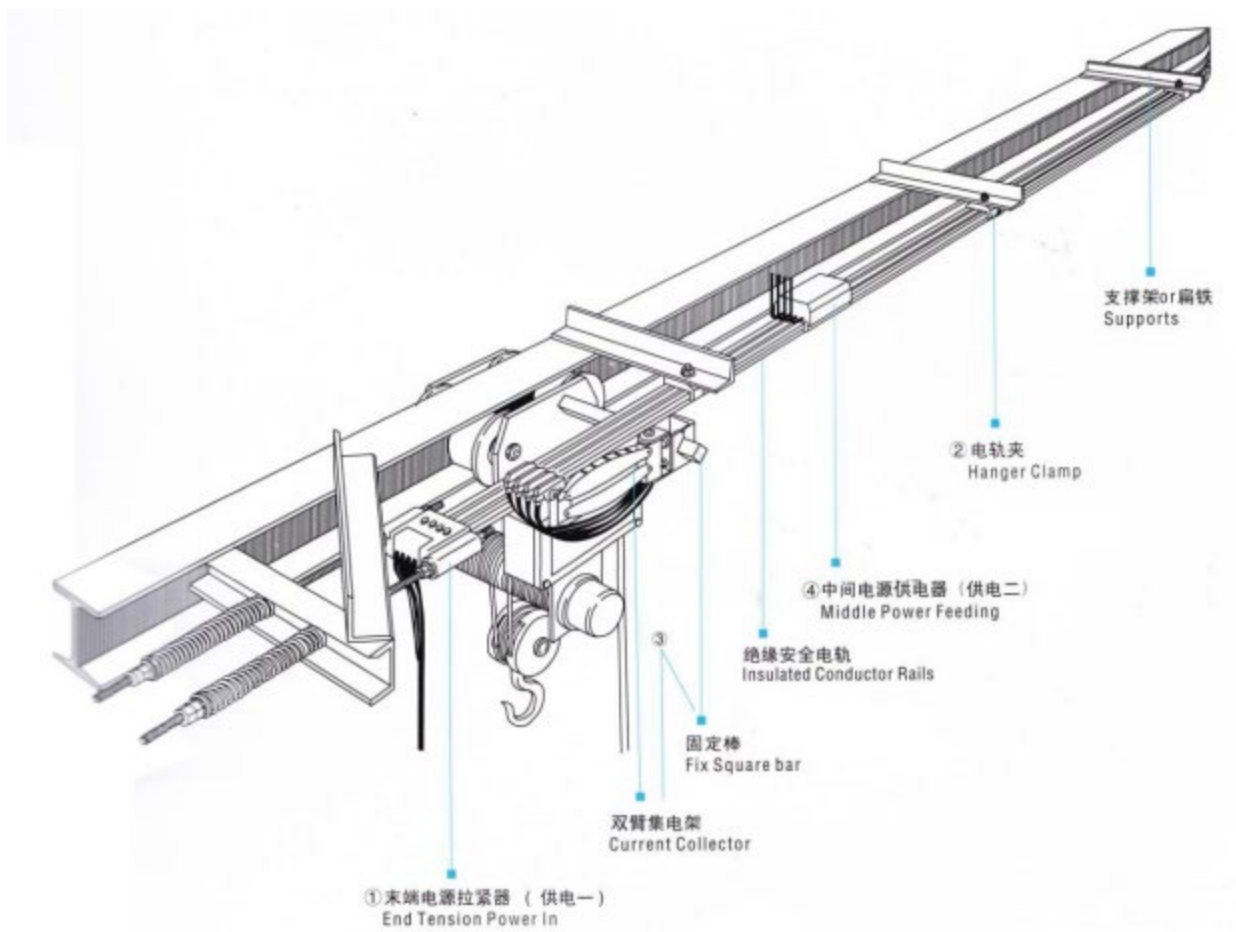


## KLIFTING INDUSTRY CO., LTD.

KD Seamless Conductor Bar System  
(35A 50A 80A 100A 125A 150A 175A)



**Catalogue**

[www.klifting.com](http://www.klifting.com)

## Catalogue

General.....	1
Advantage.....	1
Products.....	2
Conductor Bar.....	2
Hanger Clamp.....	3
End Tension & Power In.....	3
Current Collector.....	4
Collector.....	4
Middle Power Feeding.....	5
Fix Square Bar.....	5
Busbar Copper Specification.....	6
Calculation.....	7
Contact.....	9



## Seamless conductor bar system



### General

The safety power rails are electrical conductors of various profiles that are used to provide electrical potential to moving systems along a path of travel which have 3-6 poles.

The safety power rails are available for current load from 30A up to 200A mobile electrification technology for moving transportation vehicles and equipment. Common application include: manufacturing robots, material handing system, cranes and so on.

Safety power rail systems are available in a variety of configuration depending on applications requirements.

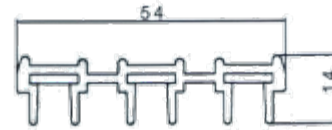
Safety power rails (3 in 1, 4 in 1, 6 in 1)

### Advantage

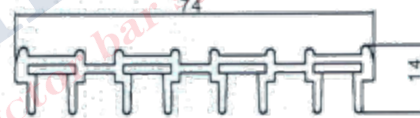
1. No joints (except power feed), safety, and neat, use indoor.
2. Integrated design, compact, easy to installation and maintenance, save time and reduce cost.
3. Continuously copper inside, conductivity up to 99.99%, small voltage drop, travel steadily, and allow high travel speed, less noise.
4. Housing made of PVC, and special technology makes it anti-shock, ultraviolet protected and good physical characteristics.
5. Install radius down to 500mm, widely application.
6. Ambient temperature: PVC  $-15^{\circ}\text{C}$ — $+55^{\circ}\text{C}$

## Products

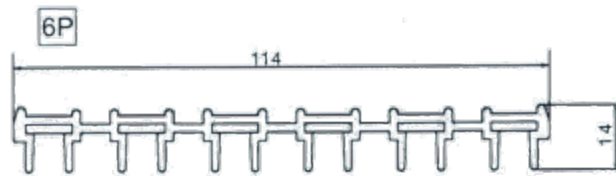
### ➤ Conductor Bar


**3P**


3P-Continuous Insulated Conductor Rails				
Type	Specification	Unit	Weight (kg)	No.
KD-3-6-30A	3P6 mm <sup>2</sup>	m	0.59	73060030
KD-3-10-50A	3P10 mm <sup>2</sup>	m	0.76	73060050
KD-3-16-80A	3P16 mm <sup>2</sup>	m	1.04	73160080
KD-3-20-100A	3P20 mm <sup>2</sup>	m	1.32	73200100
KD-3-25-125A	3P25 mm <sup>2</sup>	m	1.60	73250125
KD-3-35-175A	3P35 mm <sup>2</sup>	m	1.88	73350175

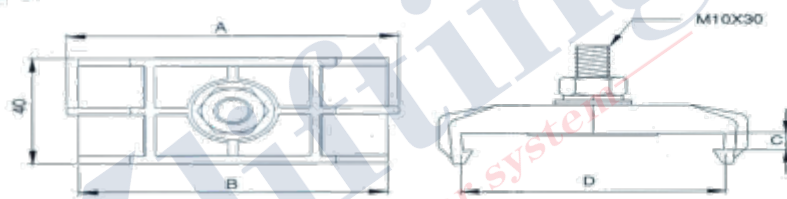

**4P**


4P-Continuous Insulated Conductor Rails				
Type	Specification	Unit	Weight (kg)	No.
KD-4-6-30A	4P6 mm <sup>2</sup>	m	0.68	74060030
KD-4-10-50A	4P10 mm <sup>2</sup>	m	0.83	74100050
KD-4-16-80A	4P16 mm <sup>2</sup>	m	1.04	74160080
KD-4-25-125A	4P25 mm <sup>2</sup>	m	1.36	74250125
KD-4-35-175A	4P35 mm <sup>2</sup>	m	1.72	74350175
KD-4-10+1-50A	4P10 mm <sup>2</sup> +1*6 mm <sup>2</sup>	m	0.99	74101050
KD-4-16+1-80A	4P16 mm <sup>2</sup> +1*6 mm <sup>2</sup>	m	1.05	74161080
KD-4-20+1-100A	4P20 mm <sup>2</sup> +1*10 mm <sup>2</sup>	m	1.14	74201100
KD-4-25+1-125A	4P25 mm <sup>2</sup> +1*10 mm <sup>2</sup>	m	1.23	74251125
KD-4-30+1-150A	4P30 mm <sup>2</sup> +1*10 mm <sup>2</sup>	m	1.36	74301150
KD-4-35+1-175A	4P35 mm <sup>2</sup> +1*10 mm <sup>2</sup>	m	1.49	74351175



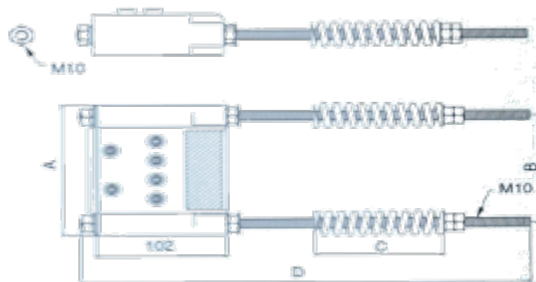
6P-Continuous Insulated Conductor Rails				
Type	Specification	Unit	Weight ( kg )	No.
KD-6-6-30A	6P6 mm <sup>2</sup>	m	0.95	76060030
KD-6-10-50A	6P10 mm <sup>2</sup>	m	1.18	76100050
KD-6-16-80A	6P16 mm <sup>2</sup>	m	1.41	76160080

➤ **Hanger Clamp**



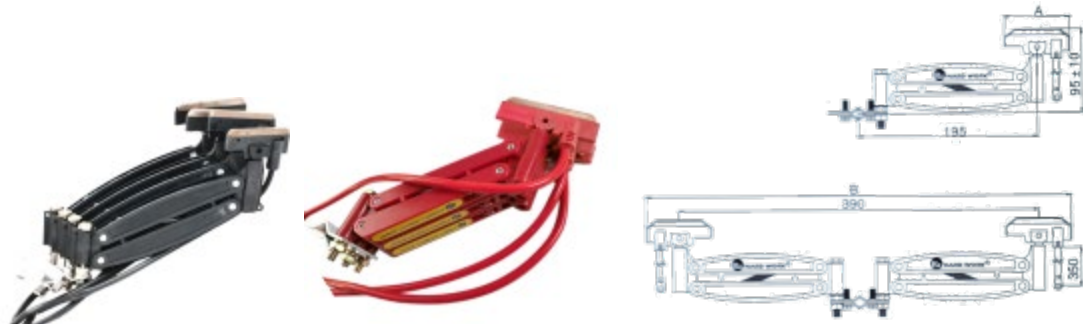
Hanger Clamp							
Type	Specification	Weight ( kg )	A	B	C	D	No.
KD-801	3P	0.065	69	63	8.3	56	70300801
KD-802	4P	0.071	88	82	8.3	76	70400802
KD-803	6P	0.082	129	124	8.3	116	70600803

➤ **End Tension & Power In**



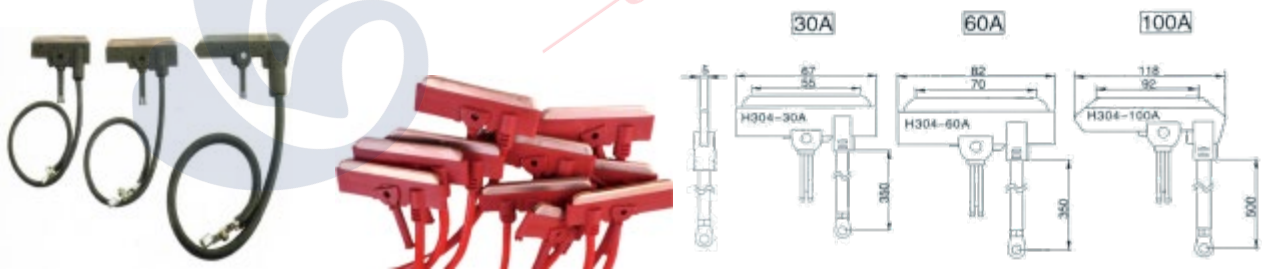
End Tension & Power In							
Type	Specification	Weight ( kg )	A	B	C	D	No.
KD-701	3P	1.24	115	89	100	400	70300701
KD-702	4P	1.31	134	109	100	400	70400702
KD-703	6P	1.34	180	151	60	300	70600703

➤ **Current Collector**



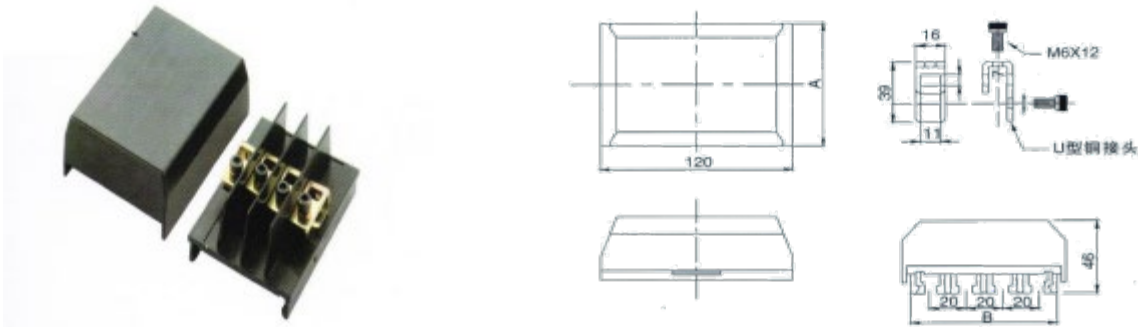
Current Collector					
Type	Specification	Weight (kg)	A	B	No.
KD-901	3P/30Amp	0.73	67	517	70330901
KD-902	3P/60Amp	0.79	82	540	70360902
KD-903	3P/100Amp	1.21	118	560	70310903
KD-904	4P/30Amp	0.96	67	517	70430904
KD-905	4P/60Amp	1.09	82	540	70460905
KD-906	4P/100Amp	1.6	118	560	70410906
KD-907	6P/30Amp	1.16	67	517	70630907
KD-908	6P/60Amp	1.29	82	540	70660907
KD-909	6P/100Amp	1.8	118	560	70610909

➤ **Collector**



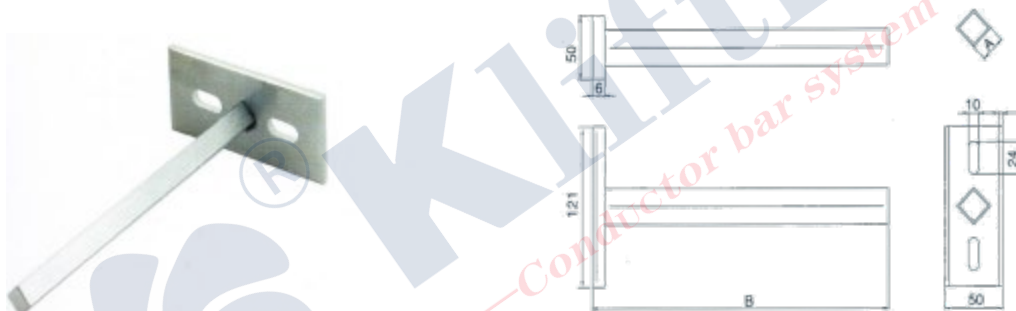
Collector			
Type	Specification	Weight (kg)	No.
KD-503	30Amp	0.065	70300503
KD-504	60Amp	0.095	70600504
KD-505	100Amp	0.22	70100505

➤ **Middle Power Feeding**



Middle Power Feeding					
Type	Specification	Weight (kg)	A	B	No.
KD-506	3P	0.2	69	60	70300506
KD-507	4P	0.26	90	81	70400507
KD-508	6P	0.4	120	122	70600508

➤ **Fix Square Bar**



Fix Square Bar				
Type	Weight (kg)	A	B	No.
KD-704	0.54	12.6	230	70000704
KD-705	0.67	12.6	330	70000705

## Busbar Copper Specification

Amps	Copper weight (G/M)	Copper thickness (mm)	Copper width (mm)	Copper squaremm <sup>2</sup>
25A	43.17g	0.50mm	9.70mm	4.85mm <sup>2</sup>
30A	56.11g	0.65mm	9.70mm	6.305mm <sup>2</sup>
35A	69.06g	0.80mm	9.70mm	7.76mm <sup>2</sup>
40A	73.76g	0.85mm (Market GB)	9.75mm	8.2875mm <sup>2</sup>
40A	78.50g	0.90mm(GB)	9.80mm	8.82mm <sup>2</sup>
45A	90.65g	1.05mm	9.70mm	10.185mm <sup>2</sup>
55A	104.13g	1.20mm(GB)	9.75mm	11.7mm <sup>2</sup>
55A	103.60g	1.20mm	9.70mm	11.64mm <sup>2</sup>
60A	120.86g	1.40mm	9.70mm	13.58mm <sup>2</sup>
70A	125.82g	1.45mm(Market GB)	9.75mm	14.1375mm <sup>2</sup>
70A	130.83g	1.50mm (GB)	9.80mm	14.7mm <sup>2</sup>
75A	138.13g	1.60mm	9.70mm	15.52mm <sup>2</sup>
85A	155.39g	1.80mm	9.70mm	17.46mm <sup>2</sup>
105A	194.24g	2.25mm	9.70mm	21.825mm <sup>2</sup>
110A	200.61g	2.30mm(GB)	9.80mm	22.54mm <sup>2</sup>
140A	250.36g	2.90mm	9.70mm	28.13mm <sup>2</sup>
145A	258.99g	3.00mm	9.70mm	29.1mm <sup>2</sup>
160A	284.89g	3.30mm	9.70mm	32.01mm <sup>2</sup>
225A	405.84g	2.4mm	19mm	45.6mm <sup>2</sup>



## Calculation

### Please offer this information if you need our products.

Company Name: \_\_\_\_\_ Contact: \_\_\_\_\_  
Project: \_\_\_\_\_ Address: \_\_\_\_\_  
E-mail: \_\_\_\_\_ Project: \_\_\_\_\_  
Telephone: \_\_\_\_\_ Fax: \_\_\_\_\_  
Date: \_\_\_\_\_

1. Type of crane/machine to be electrified: \_\_\_\_\_
2. Voltage: \_\_\_\_\_ Volts ~/=: \_\_\_\_\_ Phases: c/s: \_\_\_\_\_
3. Length of conductor system: \_\_\_\_\_
4. Number of conductors required: \_\_\_\_\_  
power lines: \_\_\_\_\_ control lines: \_\_\_\_\_ neutral (ground): \_\_\_\_\_
5. Indoor: \_\_\_\_\_ Outdoor: \_\_\_\_\_
6. Special site conditions (humidity, dust, chemical influence etc.): \_\_\_\_\_
7. Temperature conditions: \_\_\_\_\_ °C min., \_\_\_\_\_ °C max.
8. Type of conductors preferably wanted: \_\_\_\_\_
9. Number and position of feeder points: \_\_\_\_\_
10. Mounting position envisaged: \_\_\_\_\_  
(prints and sketches should be submitted whenever obtainable)
11. Number of cranes / machines fed from the one system: \_\_\_\_\_
12. Ampere load of each crane / machine: \_\_\_\_\_
13. Other pertinent data: \_\_\_\_\_  
\_\_\_\_\_  
\_\_\_\_\_

For curved tracks, breaks in system etc. please submit prints and sketches.

Motor (please mark run simultaneously and at the same time start the motor)	Crane 1						
	P/(KW)	Rated current			Starting current		
		A	COS $\phi^N$	%ED	A	COS $\phi^A$	Start Method
Main Hoisting							
Aux. Hoisting							
Main Traverse							
Aux. Traverse							
Main Travel							
Aux. Travel							
Slewing							
Luffing and any other Service							
The type of motor: K:Squirrel-cage motors; S:Slip-ring motors; F:Inverter motor							

Motor (please mark run simultaneously and at the same time start the motor)	Crane 2						
	P/(KW)	Rated current			Starting current		
		A	COS $\phi^N$	%ED	A	COS $\phi^A$	Start Method
Main Hoisting							
Aux. Hoisting							
Main Traverse							
Aux. Traverse							
Main Travel							
Aux. Travel							
Slewing							
Luffing and any other Service							
The type of motor: K:Squirrel-cage motors; S:Slip-ring motors; F:Inverter motor							

## Contact

### **KLIFTING INDUSTRY CO., LTD.**

Address: Workshop No.169 Longxiang Road, Industrial Park, East QiYi Road, LianChi District, Baoding City, Hebei Province, China

Phone: 0086-312-679-3605

Email: [Sales@klifting.com](mailto:Sales@klifting.com)

Website: [www.klifting.com](http://www.klifting.com)

For further information of KD Seamless conductor bar, please contact us in the above ways.

We commit ourselves to constant improvement of our design and processing of the products.

We keep the right of perfecting the instruction book and the product design to achieve the goal.

It's important to select the suit Safe Conductor Bar for each application. Otherwise it will cause serious consequences , such as property damage or personal injury.