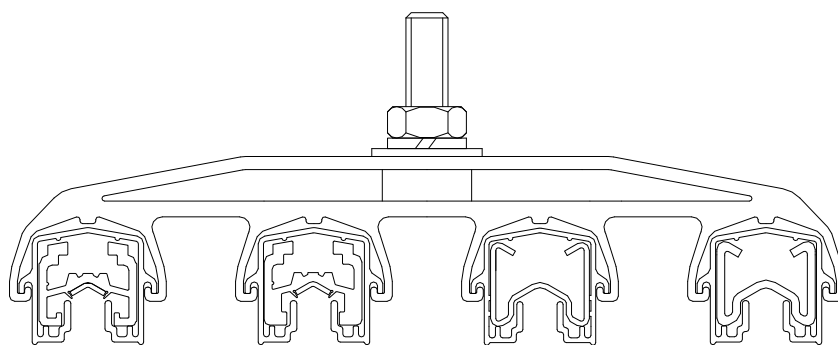
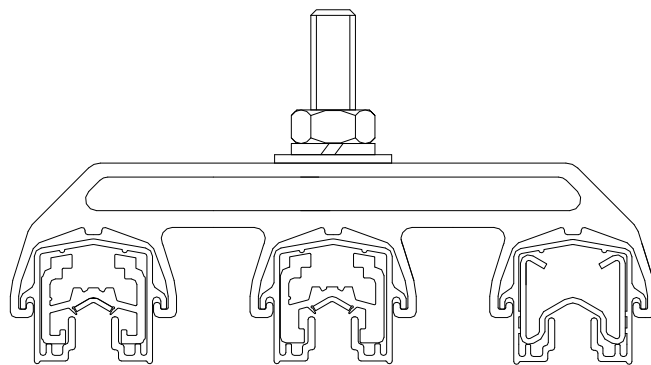


KLIFTING INDUSTRY CO., LTD.

KA Galvanized Steel Conductor Bar System
(60A 100A 125A)

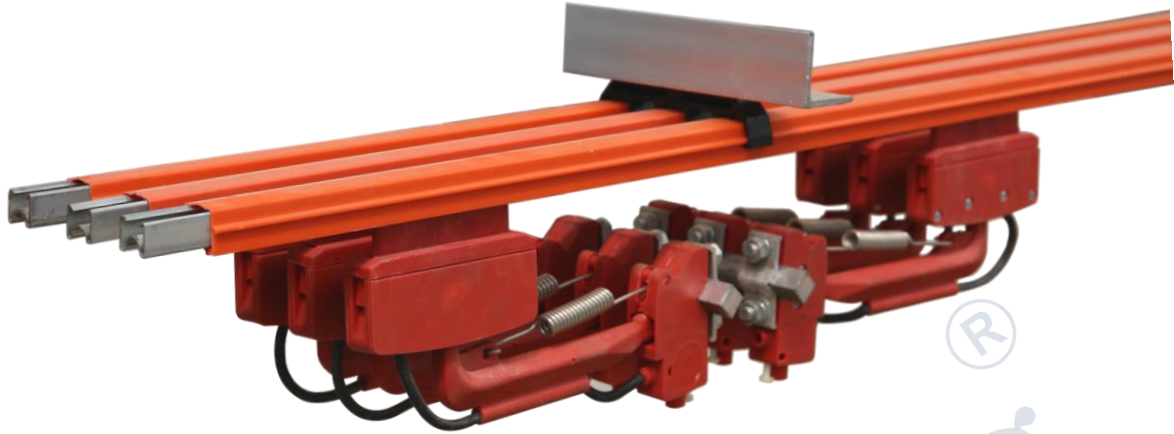


Catalogue

Catalogue

General.....	1
Advantage.....	1
Technical parameters.....	2
Products (60A--125A).....	2
Conductor Bar.....	2
Current Collector.....	3
Carbon Brush with Box 100A.....	3
Hanger Clamp.....	4
Fixation Clamp	5
Collector Support.....	5
Joints Plate.....	5
Insulation Accessories.....	6
Connector Cover.....	6
End Power Feed Assembly.....	6
End Clamp Assembly.....	6
Middle Power Feed Assembly.....	7
Expansion Section.....	7
Calculation.....	8
Contact.....	10

Galvanized Steel Conductor Bar System



General

1. Supplying power to all kinds of cranes and electrical gourd used in many industries: Power Plants, Steel, Industry, Oil & Chemical Industry, Auto Industry, Port, Plating Mills, Ship building Industry, Paper Mills, Textile Mills, Transportation System, Sugar & Wine Plants, Cement Plants, Warehouse and Material handling system.
2. Providing power to some special equipment in such places as Robotics, Amusement Parks, Airport, Bridges, Studio, Sewage & Water treatment Plants.

Advantage

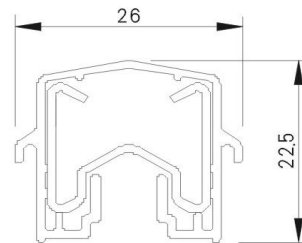
1. Safe, reliable, waterproof and dirt-proof as per IP 23 requirement.
2. Save power and lessen waste, use international conductive material to reduce the loss of voltage as much as possible.
3. Longer service life relying on unique formula.
4. Curved conductor bar system available according to specific working condition.
5. Convenient installation and daily maintenance, especially fit for aloft work.
6. Can be used in seashore, acidic and alkaline atmospheres.
7. Ice-removing system for frozen area.
8. Conductor bar covers in PVC and PPO can adapt to different working conditions. Ambient temperature: Conductor bar PVC: -15°C — 55°C ; PPO -27°C — 121°C ; PC: -60°C — 120°C .

Technical parameters

Product Type		Galvanized steel		
Amperage (A)		60A	100A	125A
Sectional area (mm ²)		50	63	93
Maximum Voltage	AC	550V	550V	550V
	DC	700A	700A	700A
Conductor Material		Galvanized steel		
Material class		M Steel	M Steel	M Steel
DC(20°C μΩ/m)		3584	2867	1933
AC(20°C μΩ/m)		3604	2891	1968
Full load permissible Temperature		25°C	25°C	25°C
Covers flame test		Self extinguish		
Standard length of bar		4.5M	4.5M	4.5M
Standard distance between hanger clamps		1.5M	1.5M	1.5M
Minimum phase spacing		43mm	43mm	43mm
Expansion sections not required for runs less than		150M	150M	150M
Minimum bend radius		1.5M	1.5M	1.5M

Products (60A--125A)

➤ Conductor Bar

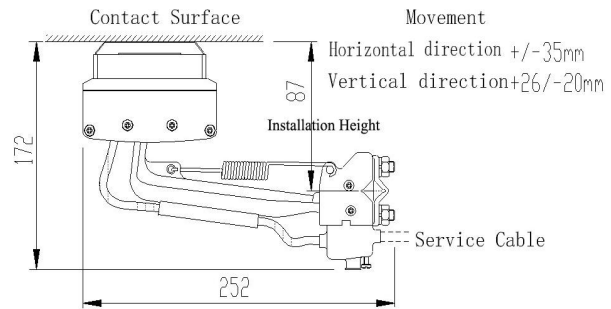


Conductor is galvanized steel material, has vertical and horizontal direction stiffness, and has a larger surface area, and it's heat can be fully guaranteed.

The Jacket's safety standard is IP23, and it's shape can be waterproof and dust proof.

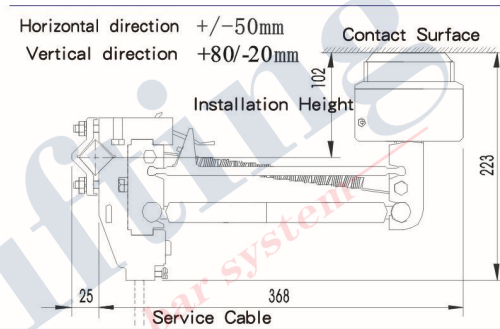
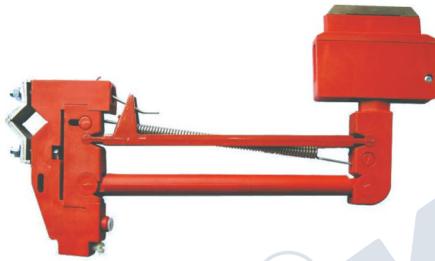
Conductor Bar-Length 4.5m	60A	100A	125A
With Standard Sheath Phase	2006001	2010001	2012501
With Standard Sheath Ground	2006002	2010002	2012502
With Medium heat jacket	2006003	2010003	2012503
Weight (kg)	2.34	3.76	4.76

➤ Current Collector



Collector 50A

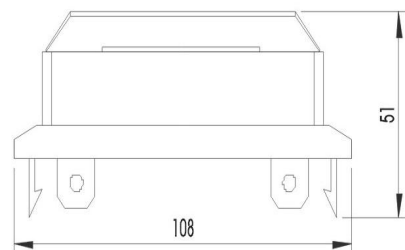
Collector 50A (Phase line)	Product No.	1800501	Weight (kg) : 0.40
Collector 50A (Ground line)	Product No.	1800502	Weight (kg): 0.40



Double insulation collector 100A

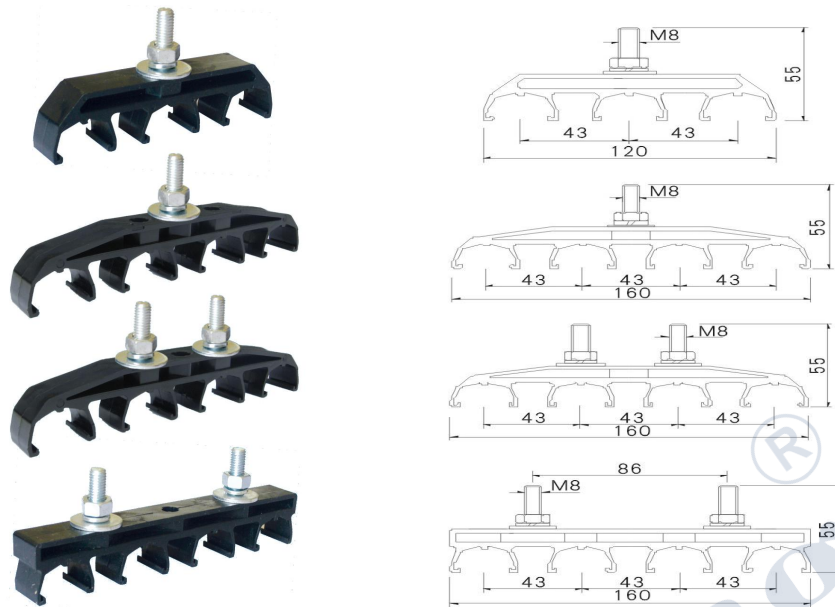
Double Insulation Collector 100A (Phase line)	Product No.	1801001	Weight (kg): 0.80
Double Insulation Collector 100A (Ground line)	Product No.	1801002	Weight (kg): 0.80

➤ Carbon Brush with Box 100A



Carbon Brush with Box 100A	Product No.	1801003	Weight (kg): 0.083
----------------------------	-------------	---------	--------------------

➤ Hanger Clamp



The biggest hang spacing is 1.5 m

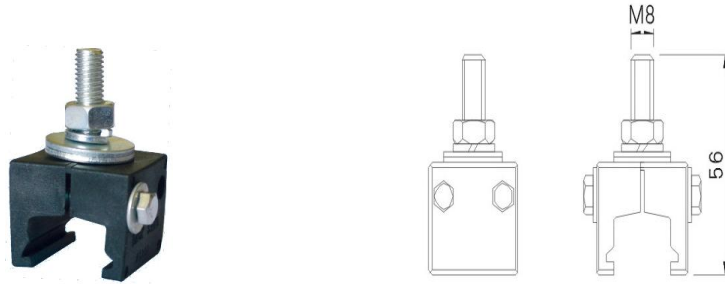
Hanger Clamp	Hanger Clamp (three poles)	One Bolt Hanger Clamp (four poles)	Two Bolt Hanger Clamp (four poles 43)	Two Bolt Hanger Clamp (four poles 86)
Standard (Black)	180003	180004	180005	180006
Medium heat (Red)	180013	180014	180015	180016
Weight (kg)	0.05	0.06	0.08	0.09



The biggest hang spacing is 1.5 m

Hanger Clamp	One poles	Two poles
Standard (Black)	180001	180002
Medium heat (Red)	180011	180012
Weight (kg)	0.03	0.04

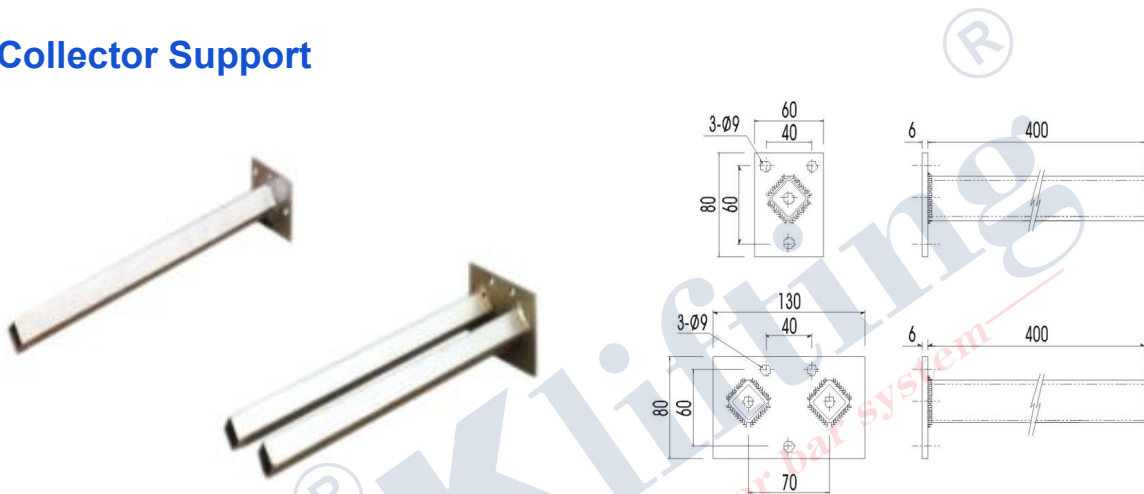
➤ Fixation Clamp



Usually be installed between the two expansion sections

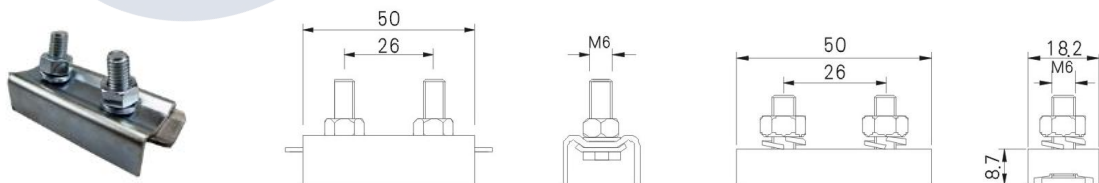
Fixation Clamp	Product No.	180007	Weight (kg) : 0.06
----------------	-------------	--------	--------------------

➤ Collector Support



Collector Support	Single	Double
Product No.	180150	180152
Weight (kg)	0.75	1.50

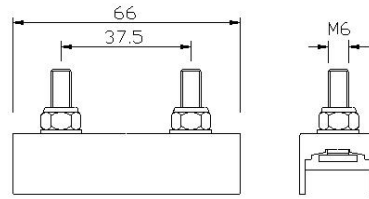
➤ Joints Plate



Different material conductor need different material joints.

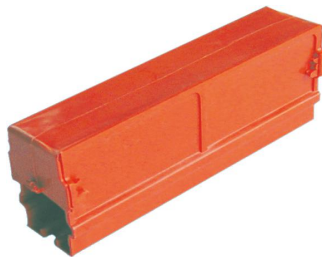
Joints Plate	Galvanized steel
Product No.	180009
Weight (kg)	0.049

➤ **Insulation Accessories**



Insulation Accessories	Products No.	180141	Weight (kg): 0.03
------------------------	--------------	--------	-------------------

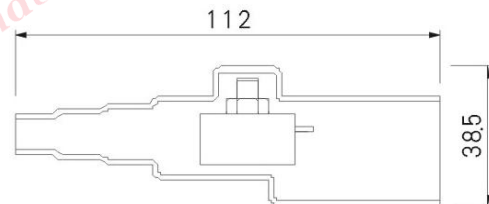
➤ **Connector Cover**



Different material conductor need different material connector cover.

Connector Cover	Standard Sheath Phase	Standard Sheath Ground	Medium heat jacket
Product No.	180008	180018	180028
Weight (kg)	0.027	0.027	0.027

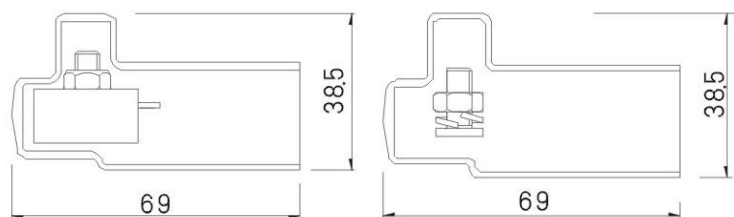
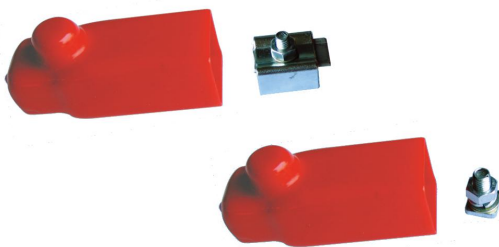
➤ **End Power Feed Assembly**



End Power Feed can replace one end part. Max power cable specification: 16mm.

End Power Feed Assembly (Max.100A)	Products No.	180130	Weight (kg): 0.037
------------------------------------	--------------	--------	--------------------

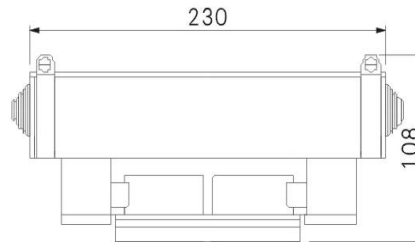
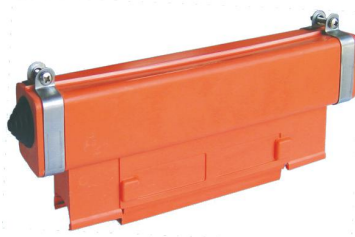
➤ **End Clamp Assembly**



Different material conductor bar need different end cap.

End Clamp Assembly	Products No.	180010	Weight (kg): 0.04
--------------------	--------------	--------	-------------------

➤ Middle Power Feed Assembly

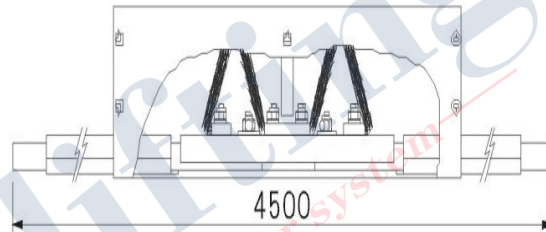


Power feed install the joints can replace a connector cover.

Max power cable specification. $2 \times 120\text{mm}^2$

Middle Power Feed Assembly	Max.250A	Max.400A
Product No.	180121	180122
Weight (kg)	0.25	0.30

➤ Expansion Section



When system length is over 150m, it need this part.

The Max gap is 25mm, and each part has 2 gaps.

Expansion section length is 4.5m, and replace one conductor.

Expansion Section-Length 4.5m	60A	100A	125A
With Standard Sheath Phase	2006004	2010004	2012504
With Standard Sheath Ground	2006005	2010005	2012505
With Medium heat jacket	2006006	2010006	2012506
Weight (kg)	3.06	3.32	4.20

Calculation

Please offer these information if you need our products.

Company Name: _____ Contact _____
Project: _____ Address: _____
E-mail: _____ Project: _____
Telephone: _____ Fax: _____
Date: _____

1. Type of crane/machine to be electrified: _____
2. Voltage: _____ Volts \sim/\neq : _____ Phases: c/s: _____
3. Length of conductor system: _____
4. Number of conductors required:
_____ power lines: _____ control lines: _____ neutral (ground): _____
5. Indoor: _____ Outdoor: _____
6. Special site conditions (humidity, dust, chemical influence etc.): _____
7. Temperature conditions: _____ °C min., _____ °C max.
8. Type of conductors preferably wanted: _____
9. Number and position of feeder points: _____
10. Mounting position envisaged: _____
(prints and sketches should be submitted whenever obtainable)
11. Number of cranes / machines fed from the one system: _____
12. Ampere load of each crane / machine: _____
13. Other pertinent data: _____

For curved tracks, breaks in system etc. please submit prints and sketches.

Motor (please mark run simultaneously and at the same time start the motor)	Crane 1						
	P/(KW)	Rated current			Starting current		
		A	COS ϕ^N	%ED	A	COS ϕ^A	Start Method
Main Hoisting							
Aux. Hoisting							
Main Traverse							
Aux. Traverse							
Main Travel							
Aux. Travel							
Slewing							
Luffing and any other Service							
The type of motor: K:Squirrel-cage motors; S:Slip-ring motors; F:Inverter motor							

Motor (please mark run simultaneously and at the same time start the motor)	Crane 2						
	P/(KW)	Rated current			Starting current		
		A	COS ϕ^N	%ED	A	COS ϕ^A	Start Method
Main Hoisting							
Aux. Hoisting							
Main Traverse							
Aux. Traverse							
Main Travel							
Aux. Travel							
Slewing							
Luffing and any other Service							
The type of motor: K:Squirrel-cage motors; S:Slip-ring motors; F:Inverter motor							

Contact

KLIFTING INDUSTRY CO., LTD.

Address: Workshop No.169 Longxiang Road, Industrial Park, East QiYi Road, LianChi District, Baoding City, Hebei Province, China

Phone: 0086-312-679-3605

Email: Sales@klifting.com

Website: www.klifting.com

For further information of KA Aluminum(6101A)/Stainless Steel Conductor Bar System, please contact us in the above ways.

We commit ourselves to constant improvement of our design and processing of the products.

We keep the right of perfecting the instruction book and the product design to achieve the goal.

It's important to select the suit Safe Conductor Bar for each application. Otherwise it will cause serious consequences , such as property damage or personal injury.